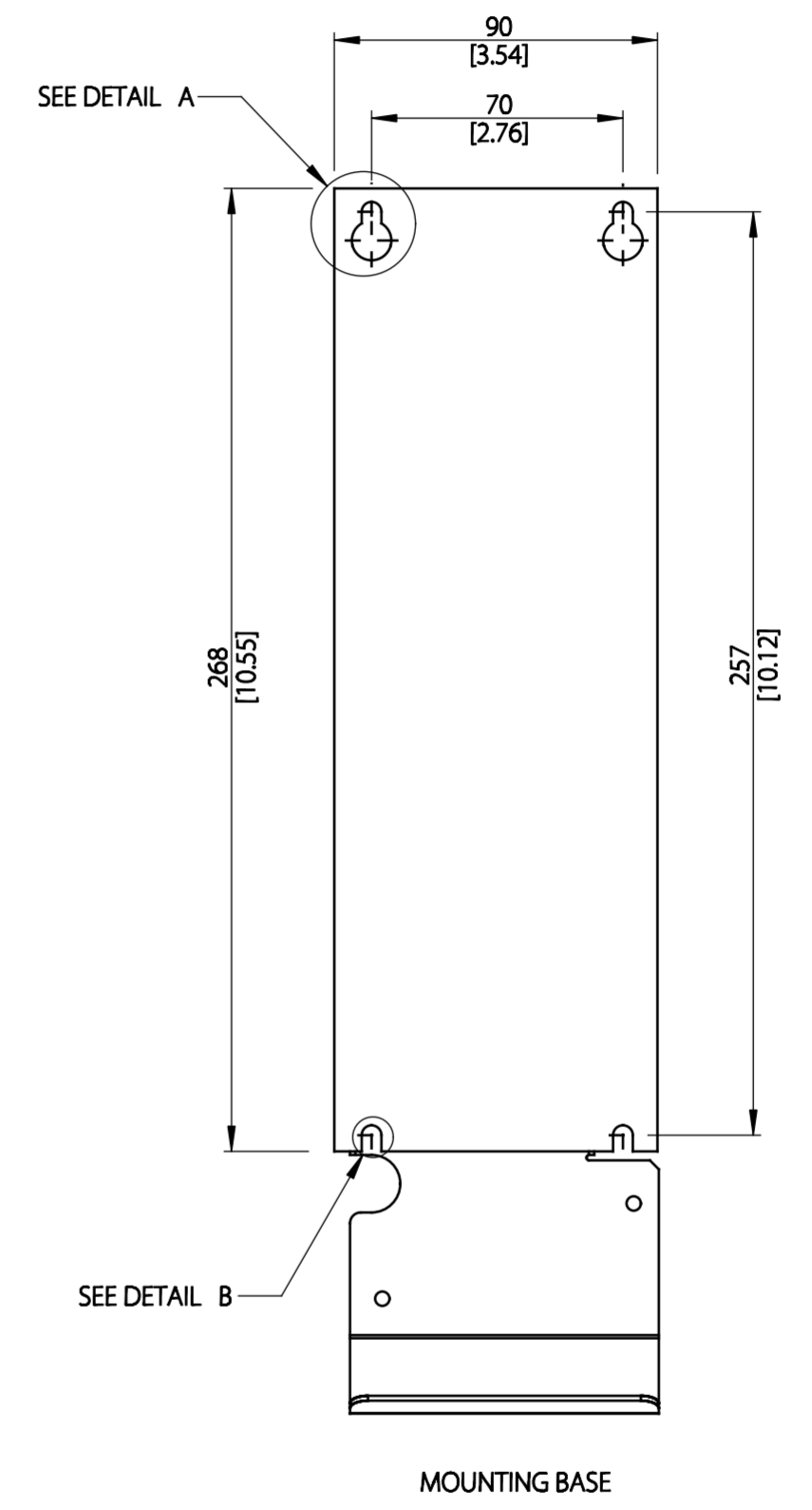
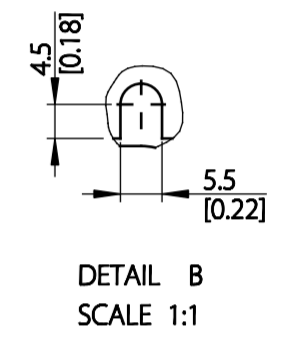
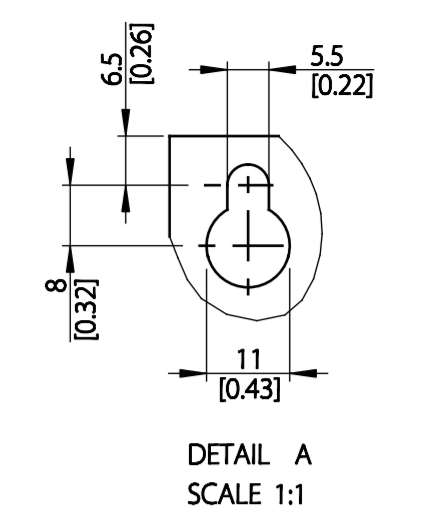
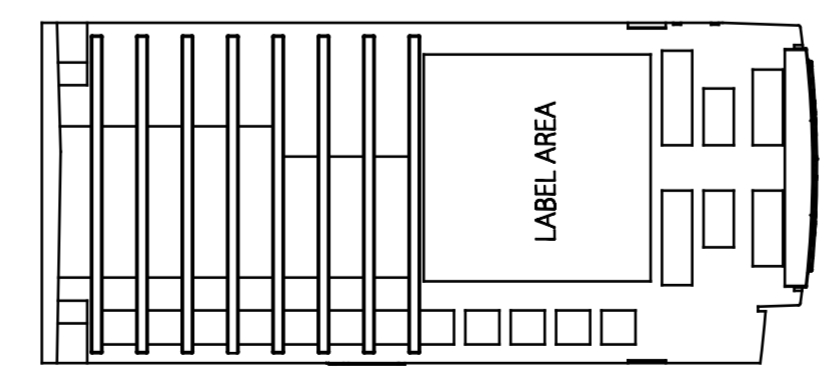
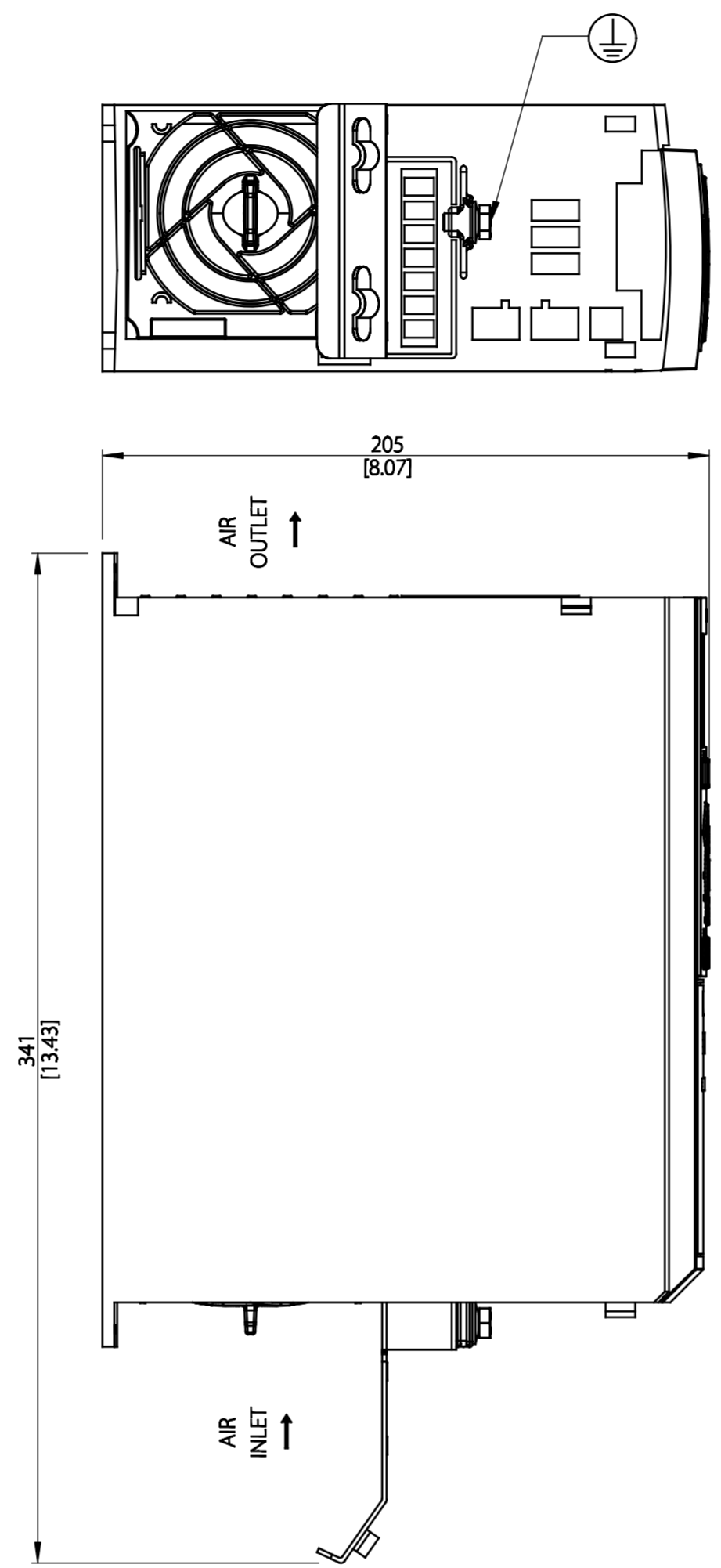
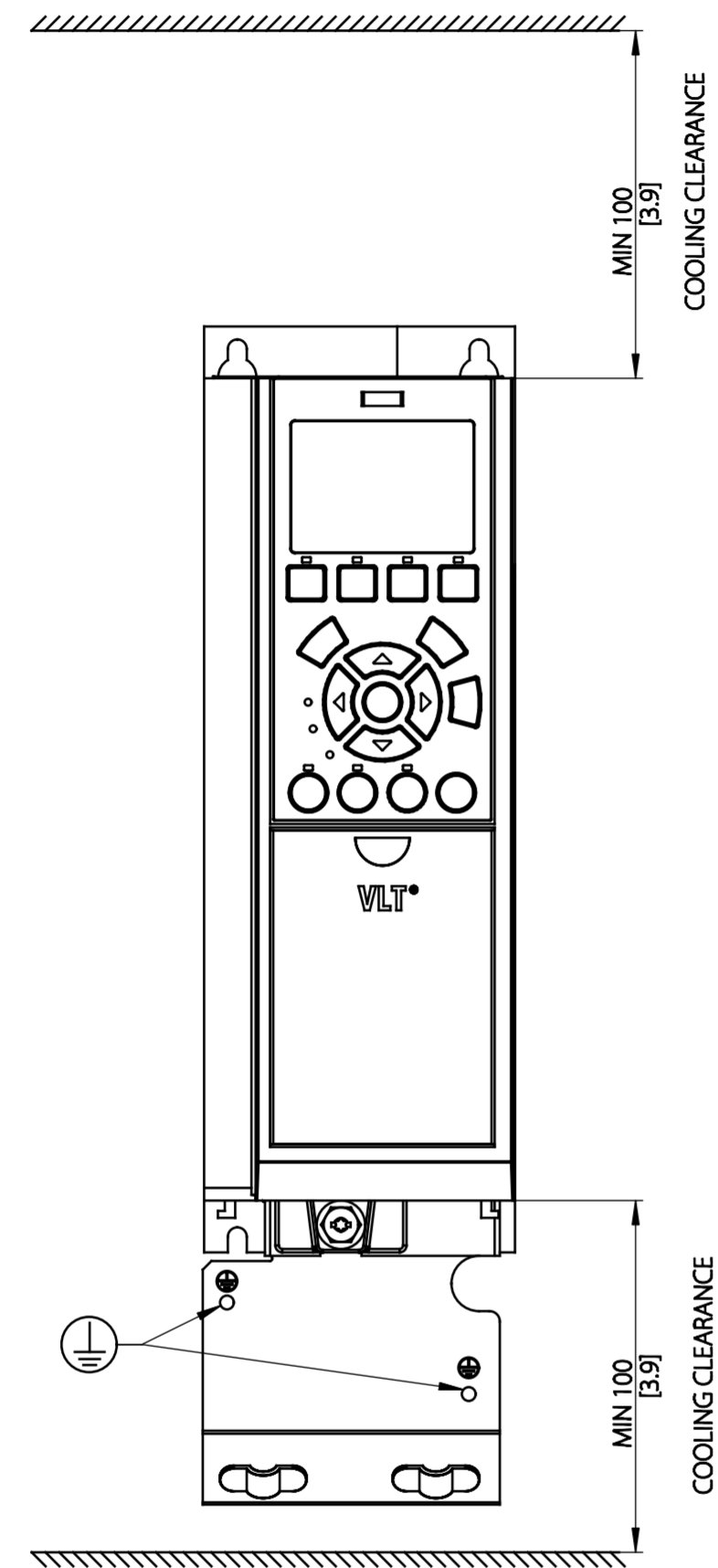
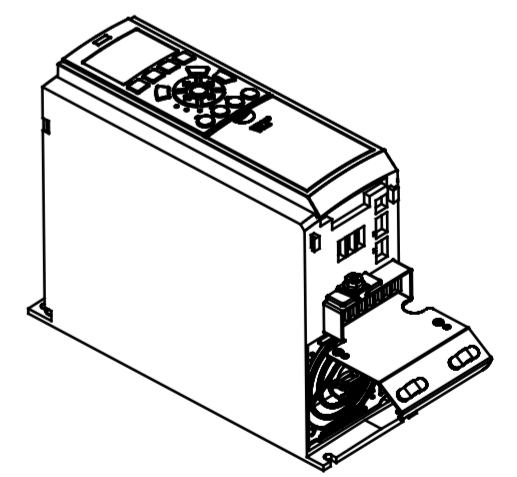


Type	Value
Max Weight	4.9 kg / 10.8 lb
IP Class	IP20
Nema Class	CHASSIS



MOUNTING BASE



THIS DRAWING SHOWS THE MOST COMMON VERSION OF THIS PRODUCT VARIANT. SMALL DIFFERENCES MAY OCCUR DEPENDING ON THE FINAL PRODUCT CONFIGURATION.

CENTER OF GRAVITY: FOR REFERENCE ONLY, THE PRODUCT CONFIGURATION MAY INFLUENCE THE CG IN ALL THREE AXES.

UNLESS OTHERWISE SPECIFIED THE TOLERANCE IS $\pm 1$ MM [0.4 INCH]. ALL DIMENSIONS ARE IN MILLIMETERS [INCH]		FIRST ANGLE PROJECTION	SCALE	DRAWING SIZE	MATERIAL
			1:2	A2	FINISH
		DESCRIPTION			
		MCAD-A2-IP20			
CHANGED					
DESIGNED	DANFOSS	30-12-2015			
CHECKED					
PROPERTY OF DANFOSS A/S NORDBOG, DENMARK. TWO OR THREE DIMENSIONAL REPRODUCTION OF CONTENTS TO BE AUTHORIZED BY DANFOSS A/S.		DRAWING NUMBER		REV	
		MCAD-A2-IP20		001	
		MODEL		SHEET	
		MCAD-A2-IP20		1 OF 1	

