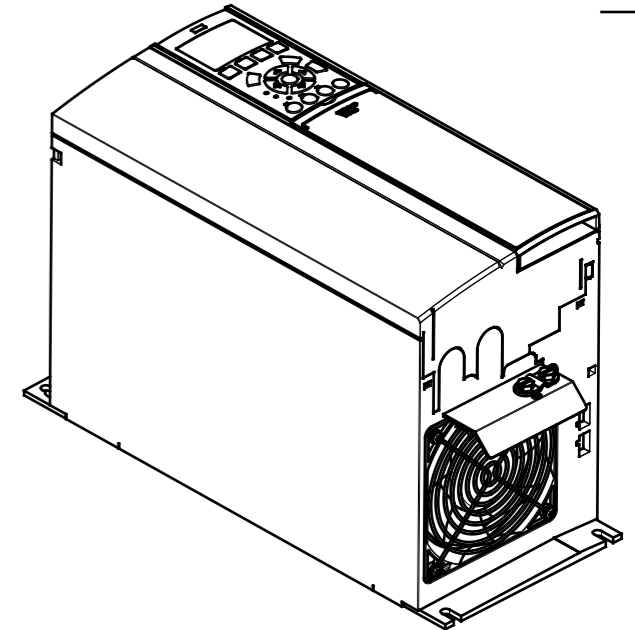
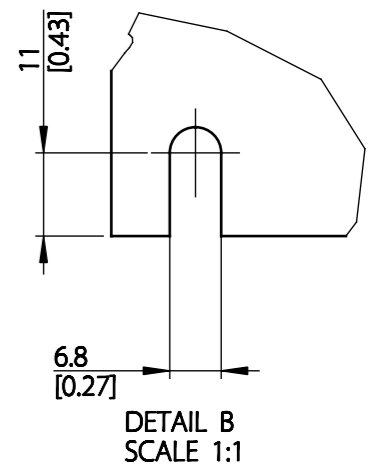
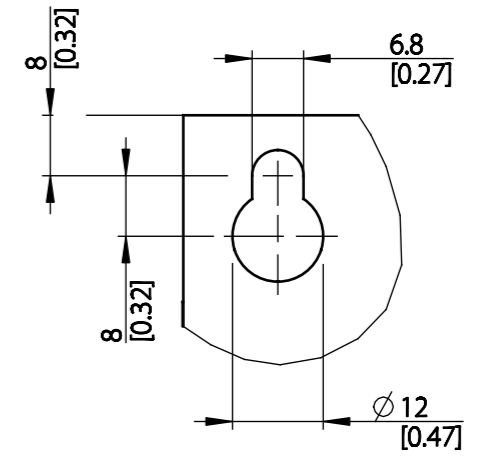
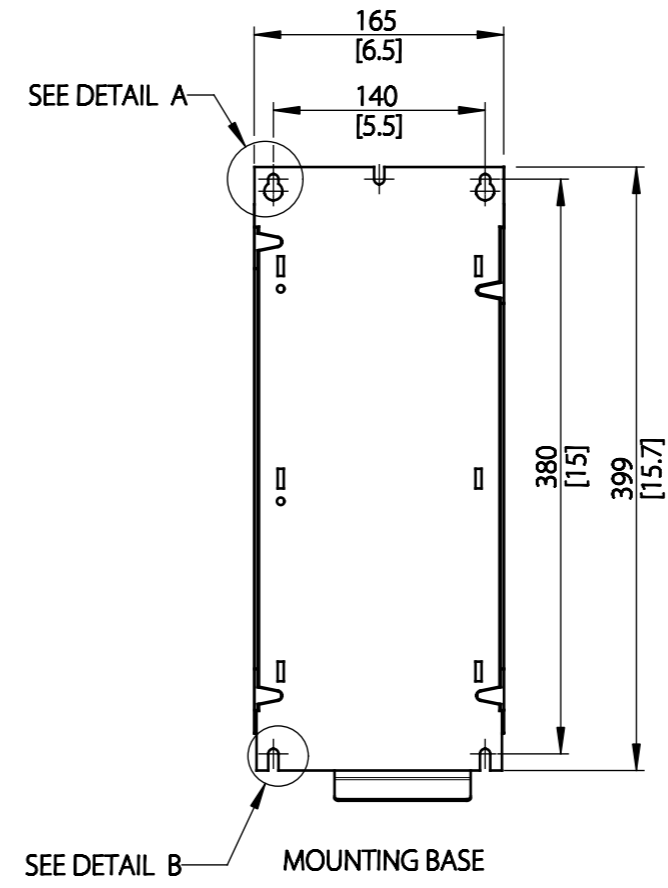
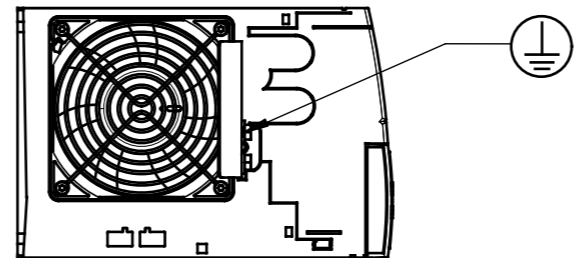
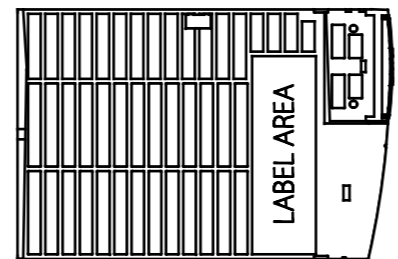
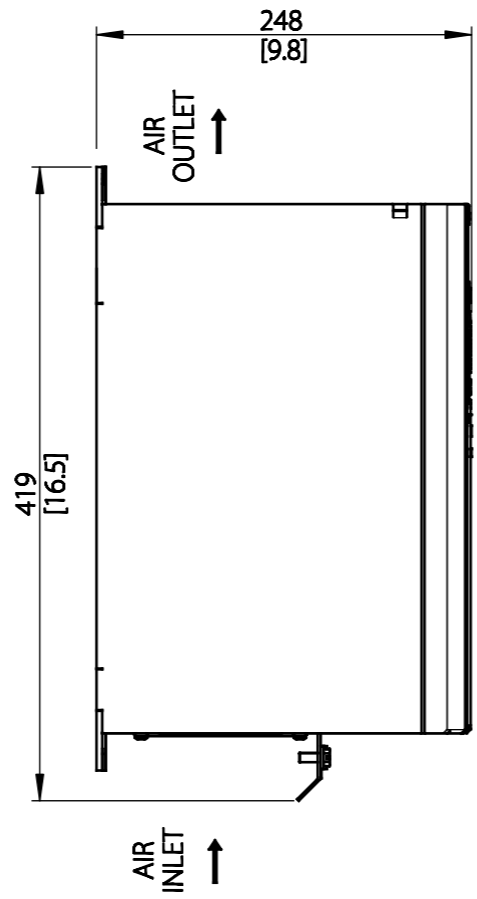
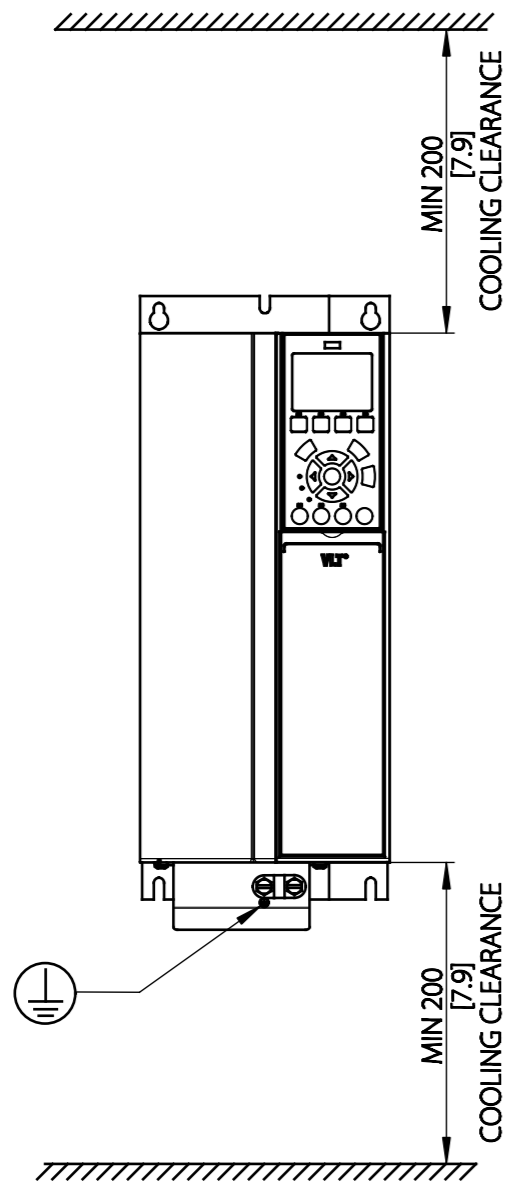
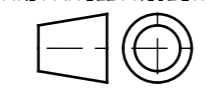



Type	Value
Max Weight	12 kg / 26.5 lb
IP Class	IP20
Nema Class	Chassis



THIS DRAWING SHOWS THE MOST COMMON VERSION OF THIS PRODUCT VARIANT.
SMALL DIFFERENCES MAY OCCUR DEPENDING ON THE FINAL PRODUCT CONFIGURATION.

 CENTER OF GRAVITY:
FOR REFERENCE ONLY, THE PRODUCT CONFIGURATION MAY INFLUENCE THE CG IN ALL THREE AXES.

UNLESS OTHERWISE SPECIFIED THE TOLERANCE IS $\pm 1\text{MM}$ [0.4 INCH]. ALL DIMENSIONS ARE IN MILLIMETERS [INCH]			FIRST ANGLE PROJECTION 	SCALE 1:5	DRAWING SIZE A3	MATERIAL
CHANGED					FINISH	
DESIGNED	Danfoss	27-11-2015			DESCRIPTION MCAD B3 IP20	
CHECKED					DRAWING NUMBER MCAD-B3-IP20	
PROPERTY OF DANFOSS A/S NORDBOURG, DENMARK. TWO OR THREE DIMENSIONAL REPRODUCTION OF CONTENTS TO BE AUTHORIZED BY DANFOSS A/S.					MODEL MCAD-B3-IP20	REV 001 SHEET 1 OF 1