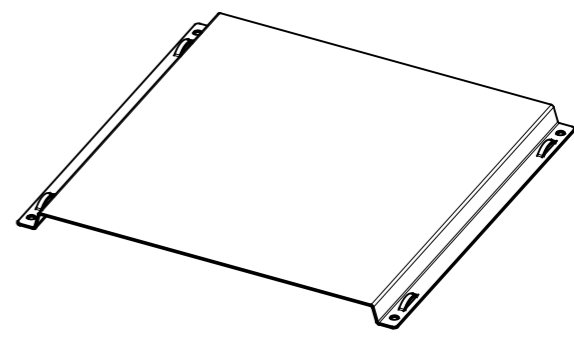


DETAIL A  
SCALE 2:1

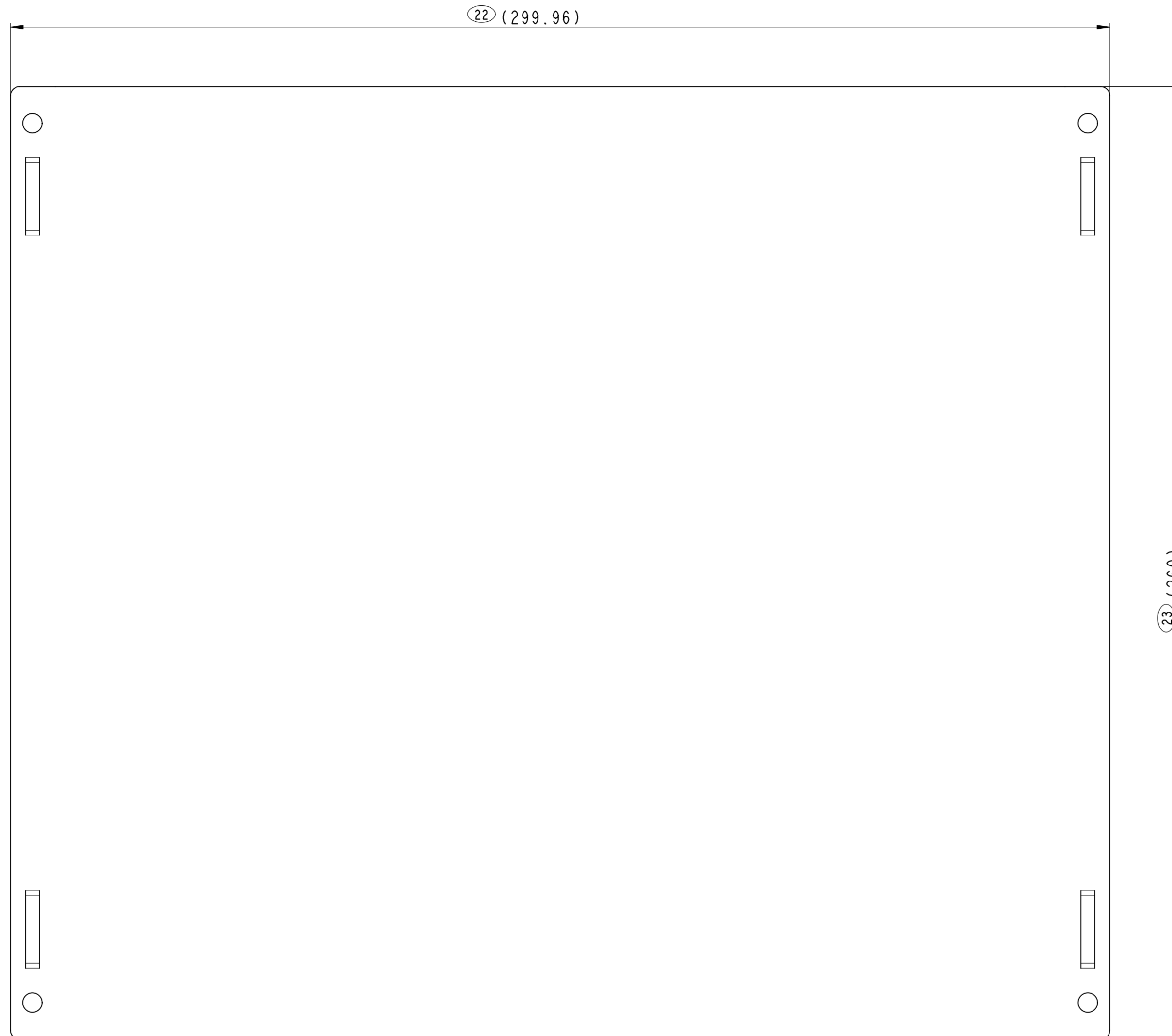


SCALE 1:5

- ⑰ General bending radius: 1 mm
- ⑱ Corner rounds not specified:  $R2.5 \pm 0.5$
- ⑲ Part must be washed and degreased
- ⑳ Material specification:  
1.0mm Sheet acc. to EN 10346-DX51D+AZ150-N-A-C
- ㉑ Not specified dimensions according to unfolded part

Projection 	Scale / Paper size 1:2 / A3	 DANFOSS DRIVES A/S	Matr./Spec. See note
Last revised by H. Jessen	Date 2013.05.21		Designation Backplate C3
Confidential: Property of Danfoss Drives A/S. Not to be handed over to, copied or used by third party. Two- or three dimensional reproduction of contents to be authorized by Danfoss Drives A/S.			Part no. 130B4228
PDM controlled drawing. - Hard copy not valid without frozen date in ID stamp.			Sh. 1 of 2
			Rev. 002

Model: 130B4228.PART



24  
For internal use: Y bending factor = 0.58

		Scale / Paper size 1:1 / A2		Matr. /Spec. Danfoss standard
Last revised by H. Jessen	Date 2013.05.21	DANFOSS DRIVES A/S		Designation Backplate C3, unfolded
Confidential: Property of Danfoss Drives A/S. Not to be handed over to, copied or used by third party. Two- or three dimensional reproduction of contents to be authorized by Danfoss Drives A/S.			Part no 130B4228	Sh. 2 of 2
PDM controlled drawing. - Hard copy not valid without frozen date in ID stamp.			Rev. 002	

Model: 130B4228.PART