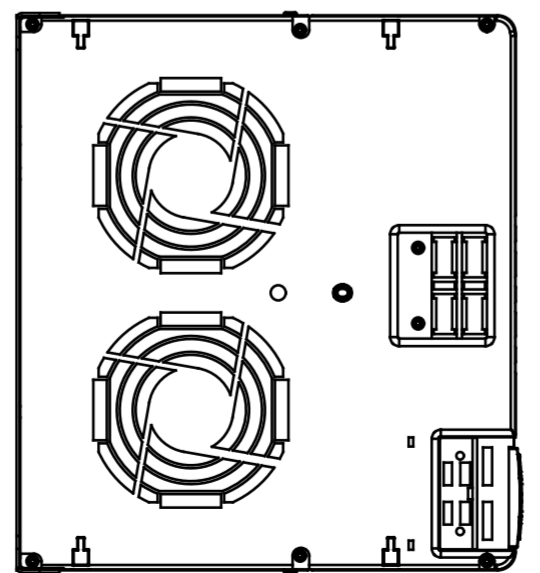
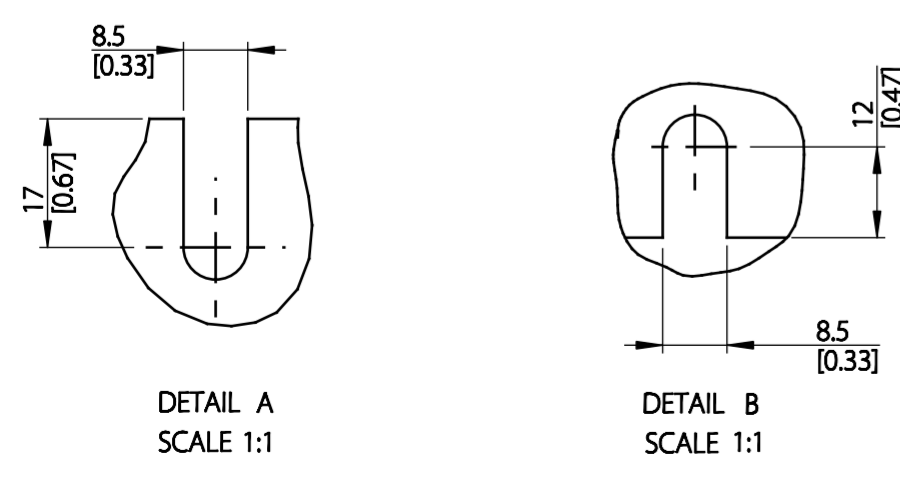
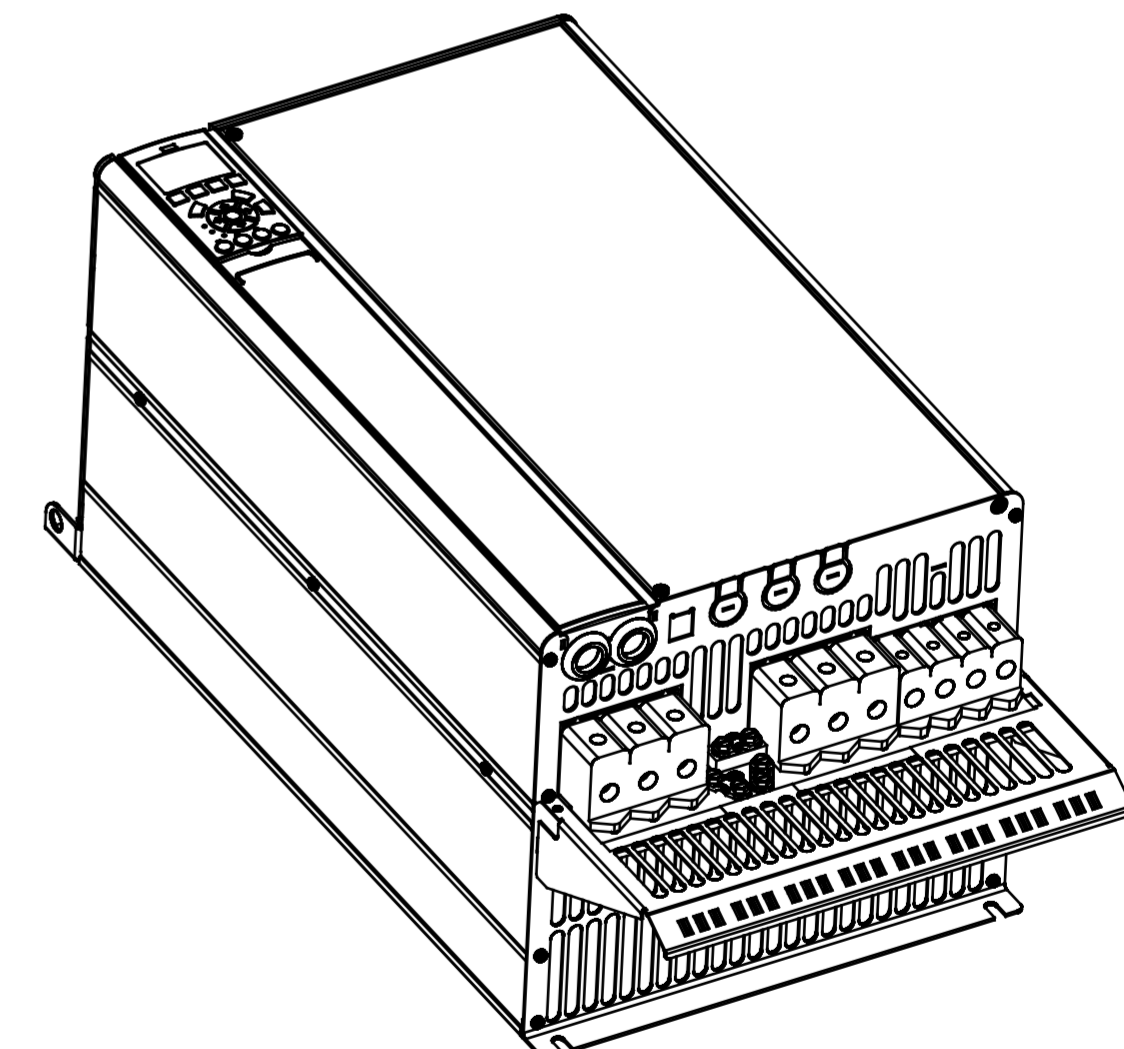
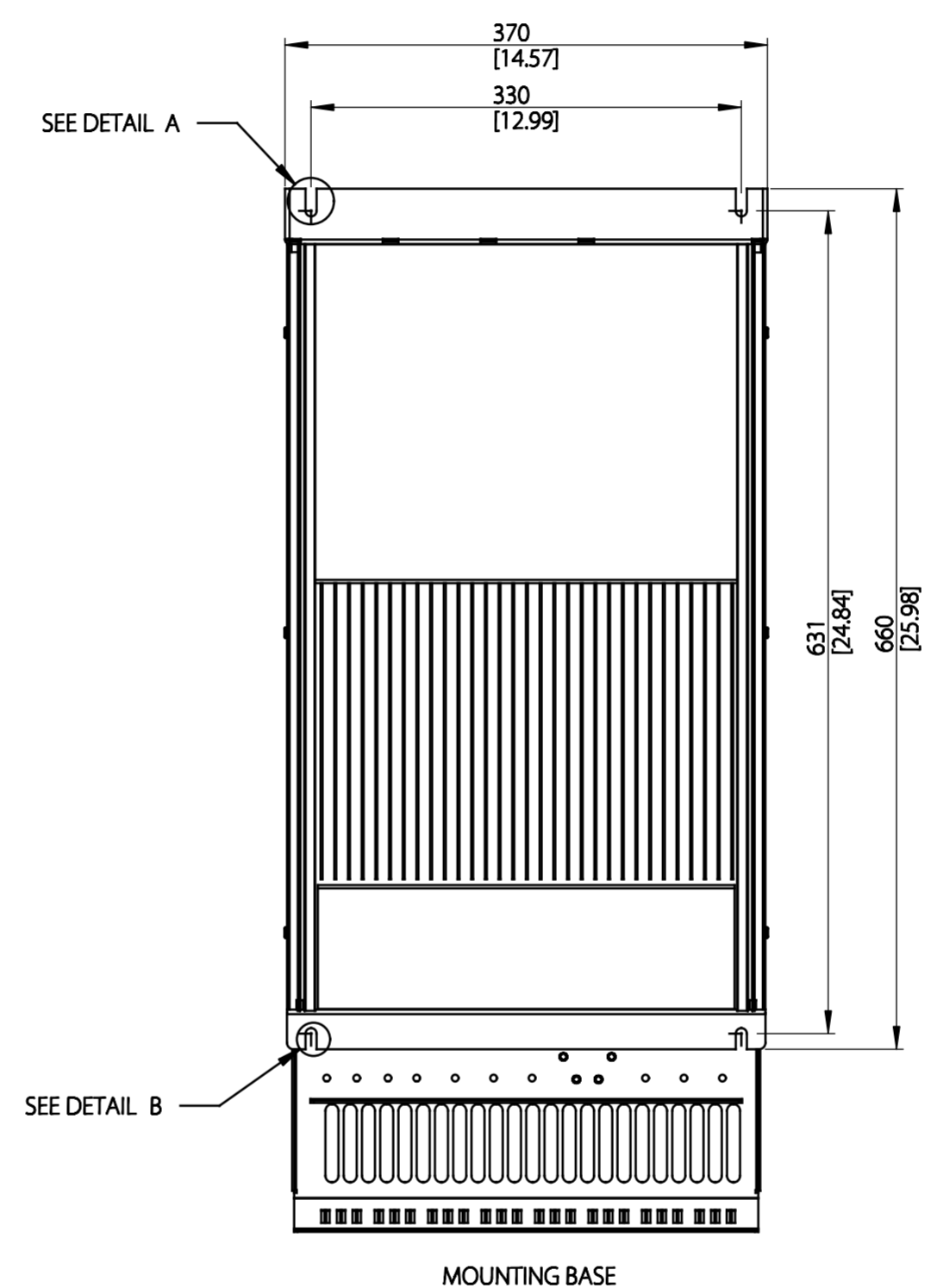
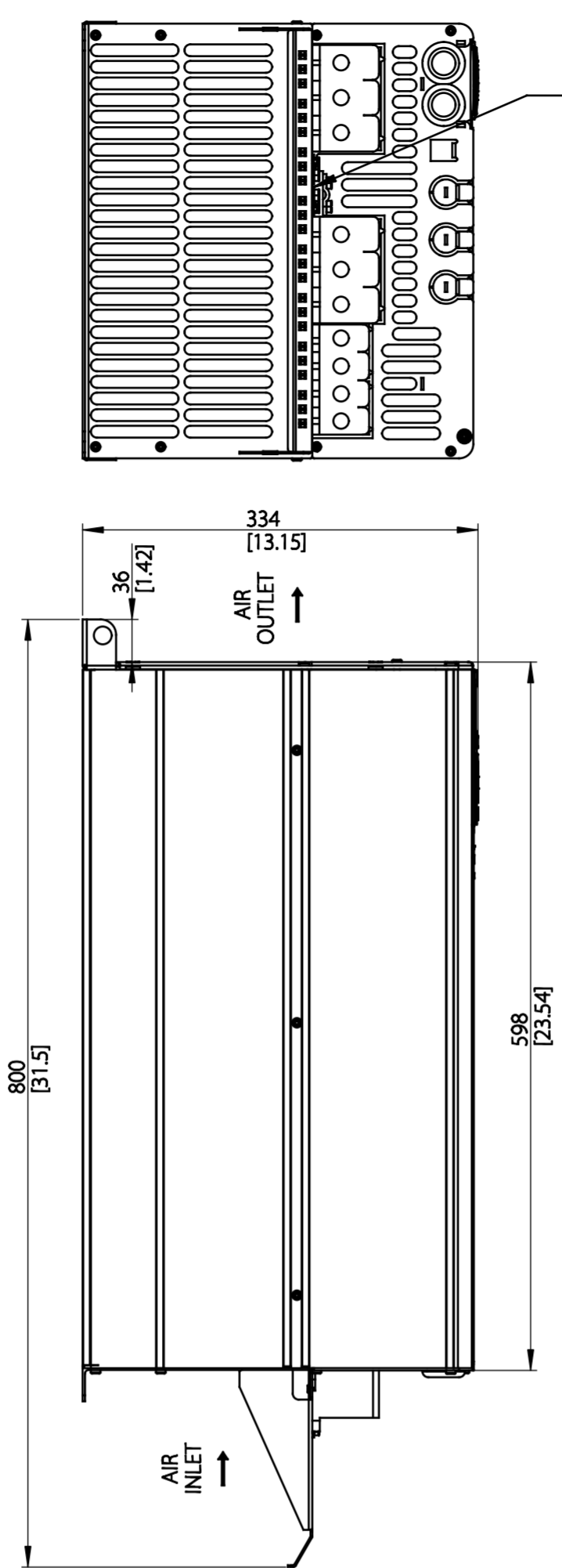
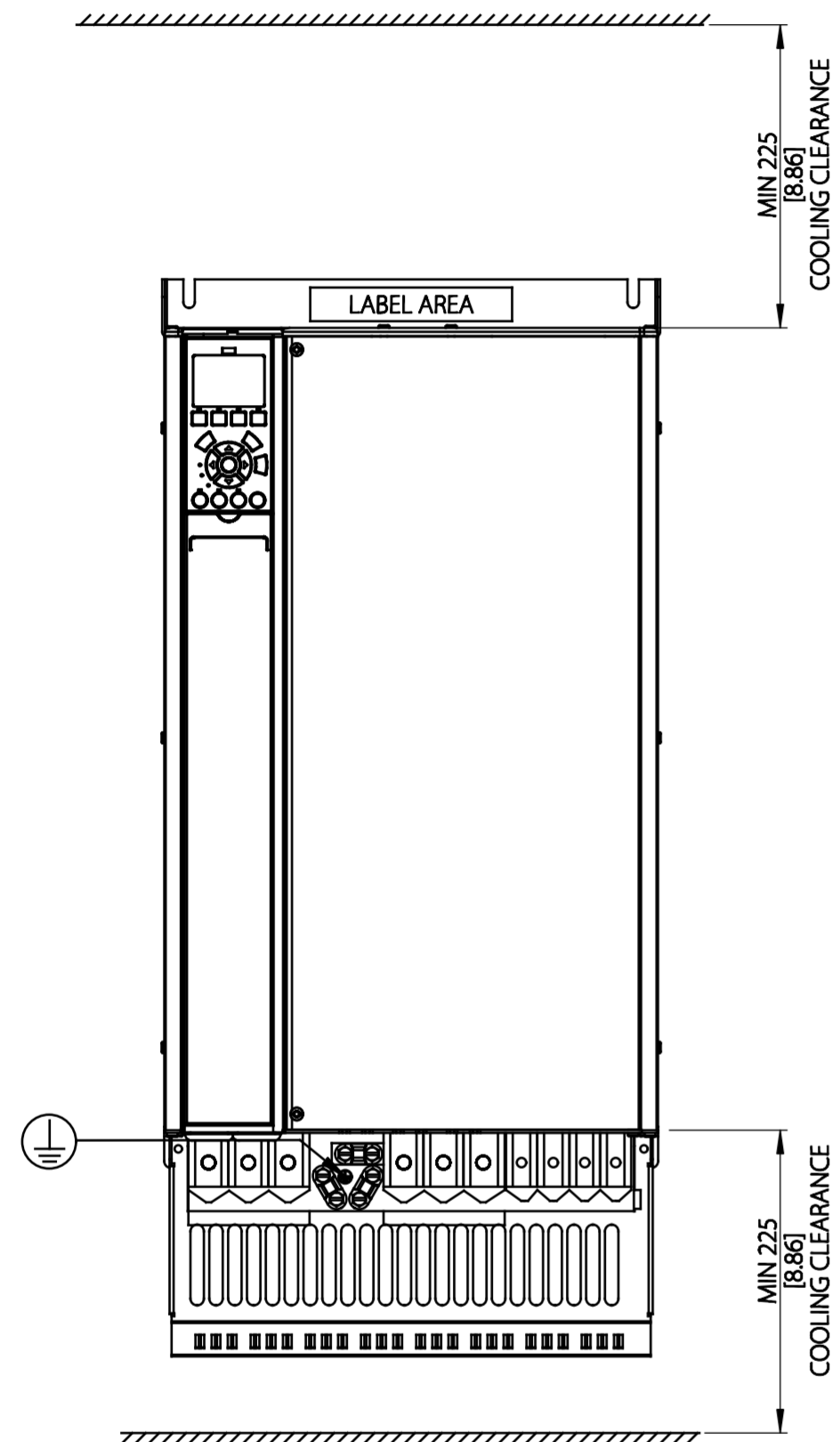


Type	Value
Max Weight	50 kg / 110.2 lb
IP Class	IP20
Nema Class	CHASSIS



THIS DRAWING SHOWS THE MOST COMMON VERSION OF THIS PRODUCT VARIANT. SMALL DIFFERENCES MAY OCCUR DEPENDING ON THE FINAL PRODUCT CONFIGURATION.

CENTER OF GRAVITY: FOR REFERENCE ONLY, THE PRODUCT CONFIGURATION MAY INFLUENCE THE CG IN ALL THREE AXES.

UNLESS OTHERWISE SPECIFIED THE TOLERANCE IS ±1MM [0.4 INCH]. ALL DIMENSIONS ARE IN MILLIMETERS [INCH]		FIRST ANGLE PROJECTION	SCALE	DRAWING SIZE	MATERIAL
			1:5	A2	
					FINISH
					DESCRIPTION
					MCAD C4 IP20
CHANGED					
DESIGNED	DANFOSS	26-04-16			
CHECKED					
PROPERTY OF DANFOSS A/S NORDBOG, DENMARK. TWO OR THREE DIMENSIONAL REPRODUCTION OF CONTENTS TO BE AUTHORIZED BY DANFOSS A/S.		DRAWING NUMBER		REV	
		MCAD-C4-IP20		001	
		MODEL		SHEET	
		MCAD-C4-IP20		1 OF 1	



SCALE 1:5