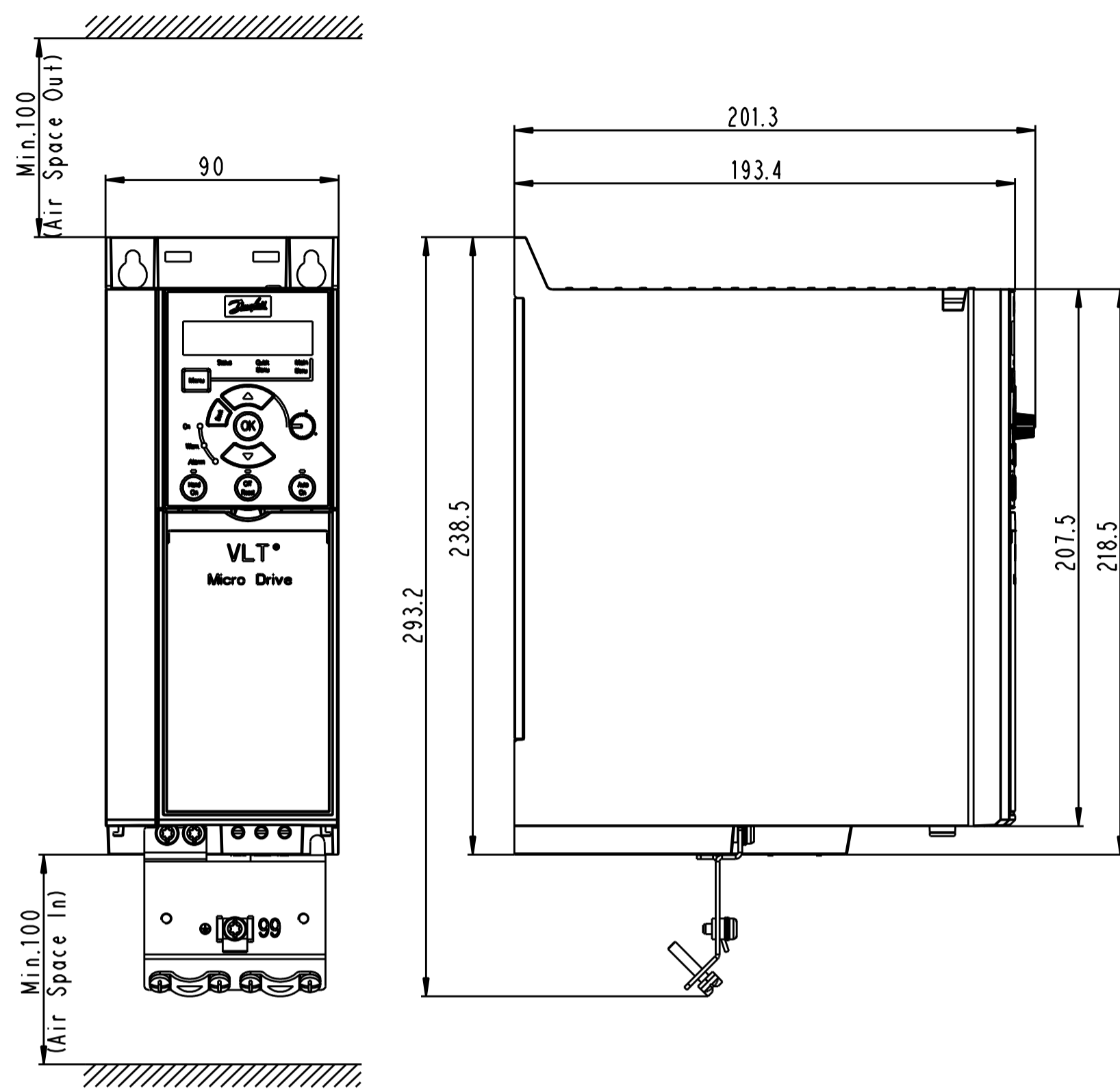
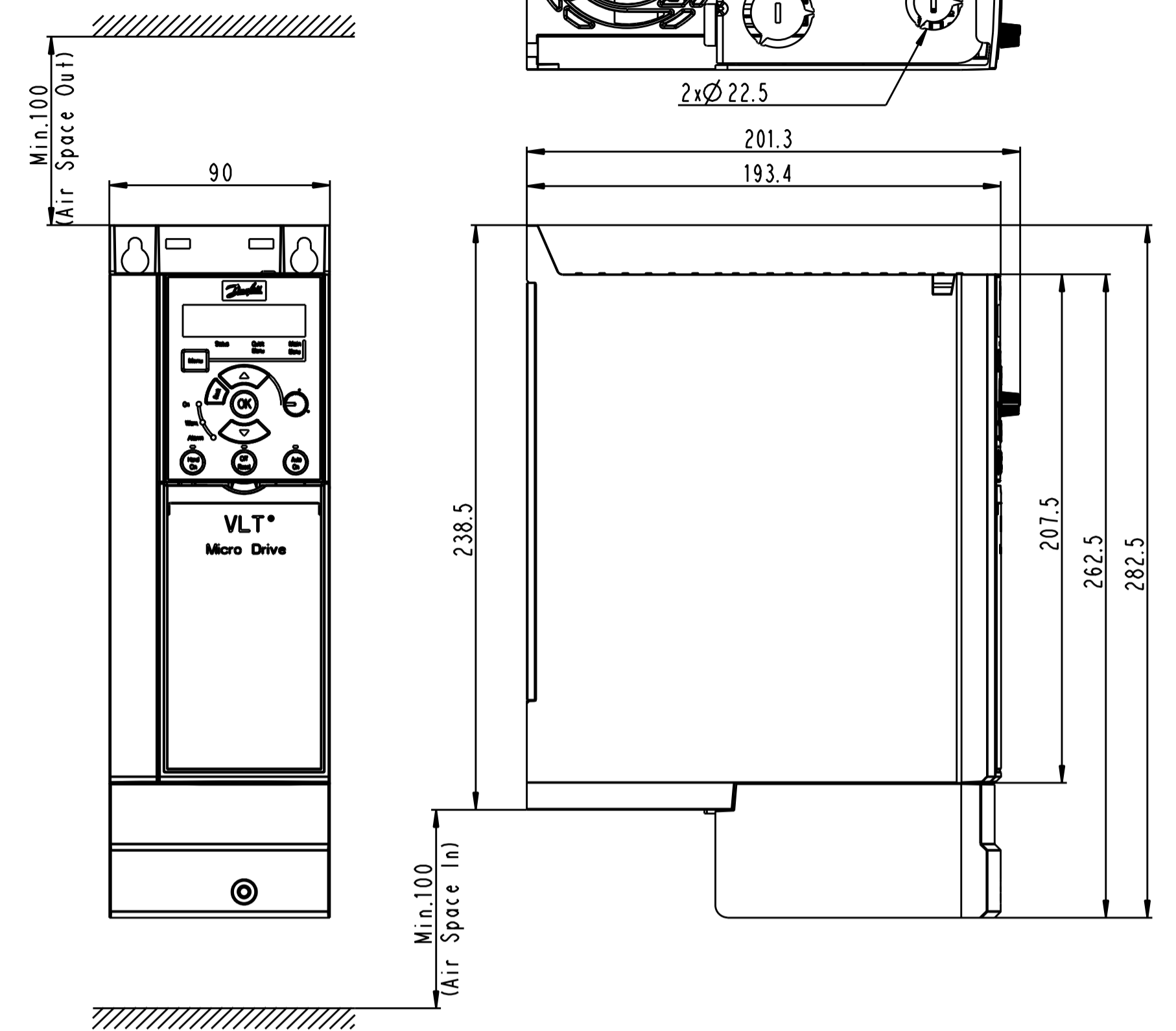


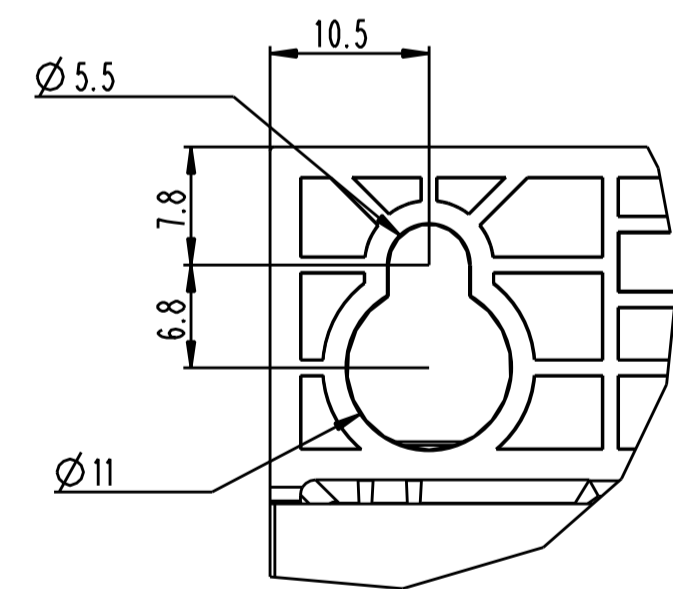
STANDARD



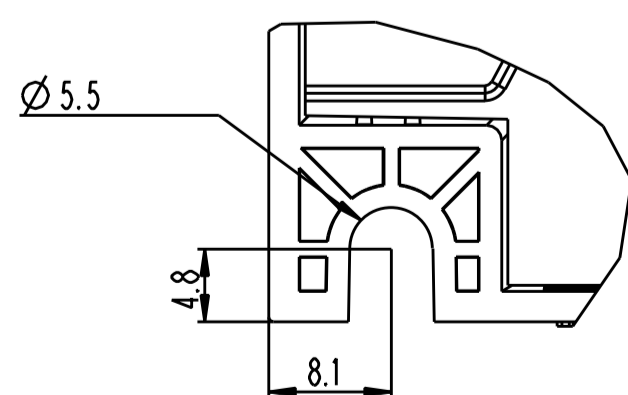
DECOUPLING-OPTION



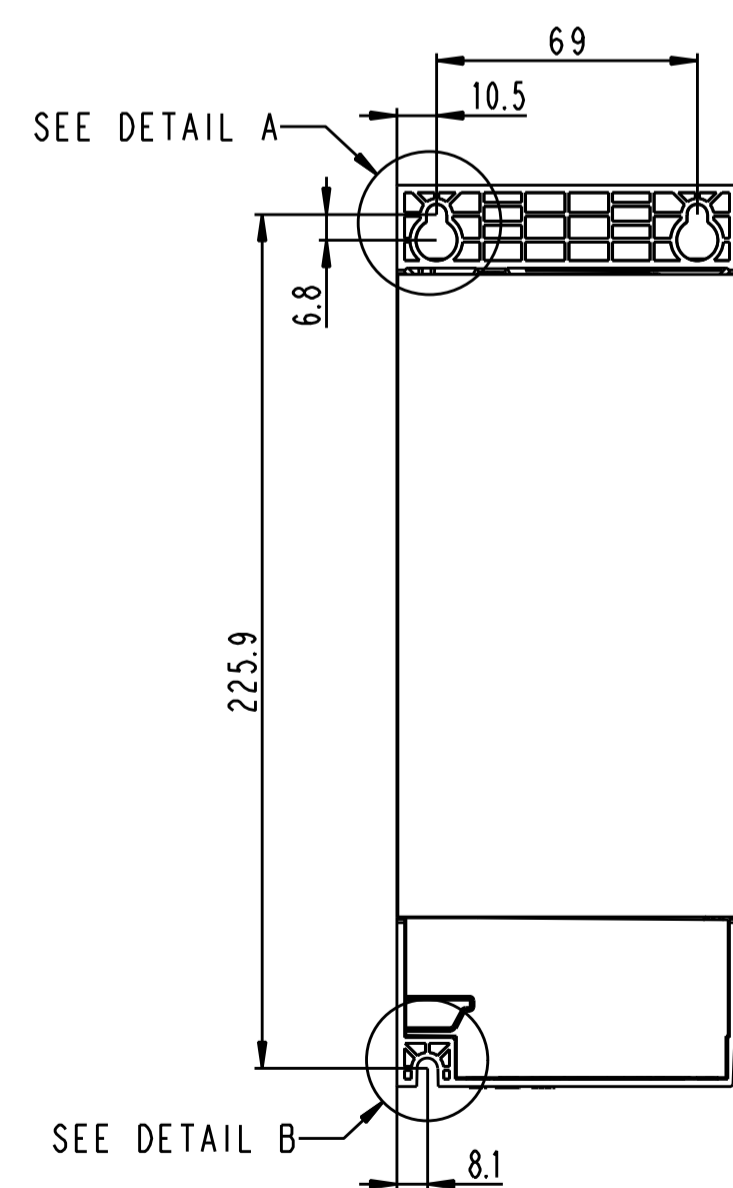
NEMA-OPTION



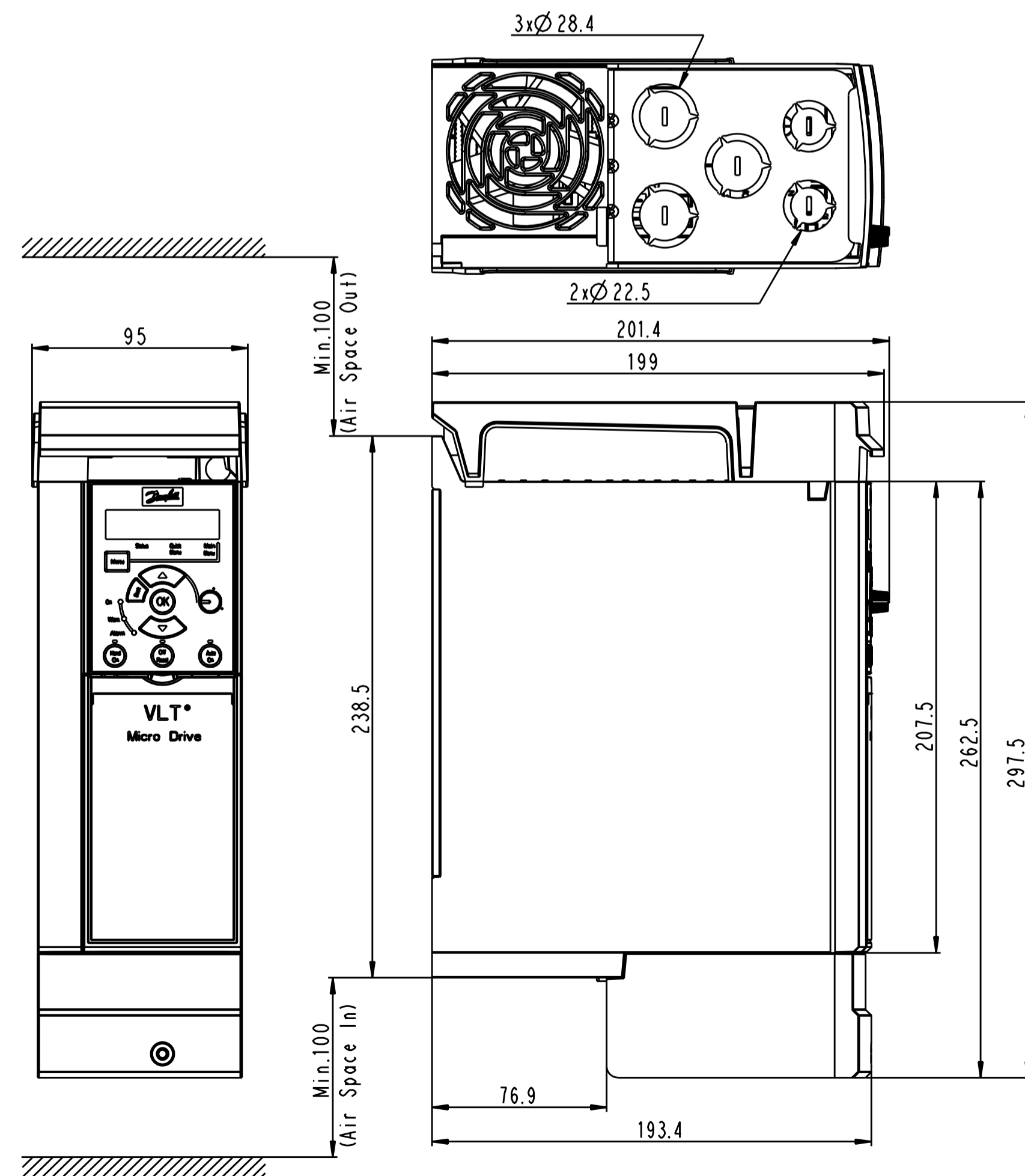
DETAIL A
SCALE 2:1



DETAIL B
SCALE 2:1



MOUNTING-BASE



IP21-OPTION

Projection	Scale / Paper size		Matr. Spec.
	1:2 / A1		Danfoss standard
Last revised by	Date	DANFOSS DRIVES A/S	Designation
Liang wanchun	2008.03.11		FC51-M3
<small>Confidential: Property of Danfoss Drives A/S. Not to be handed over, copied or used by third party. Two- or three dimensional reproduction of contents to be authorized by Danfoss Drives A/S.</small>			Part no.
<small>PDM controlled drawing - Hard copy not valid without frozen date in ID stamp.</small>			M3-OUTLINE 1 of 1
			Rev. 001

MODEL-STANDARDASSEMB