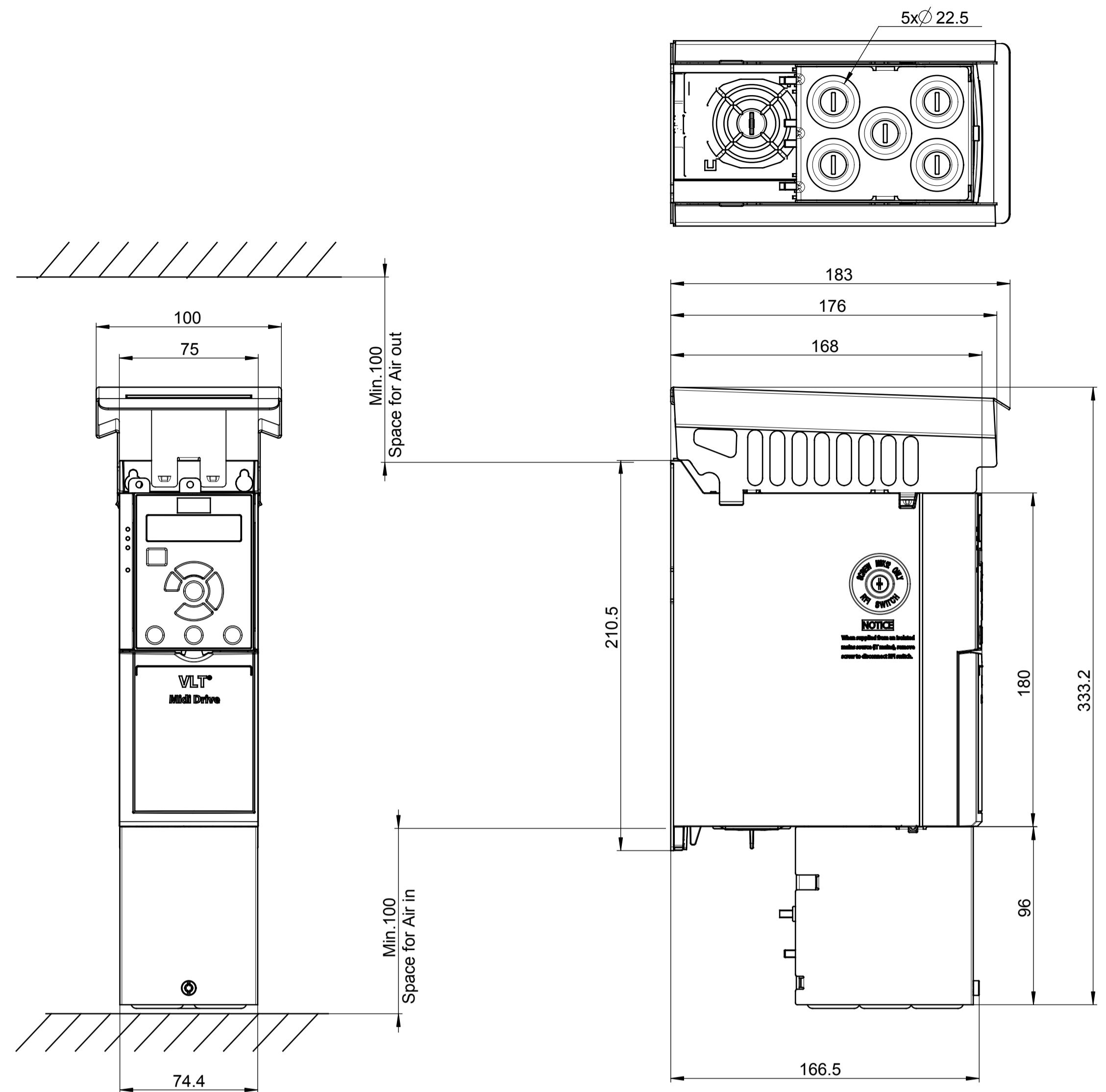
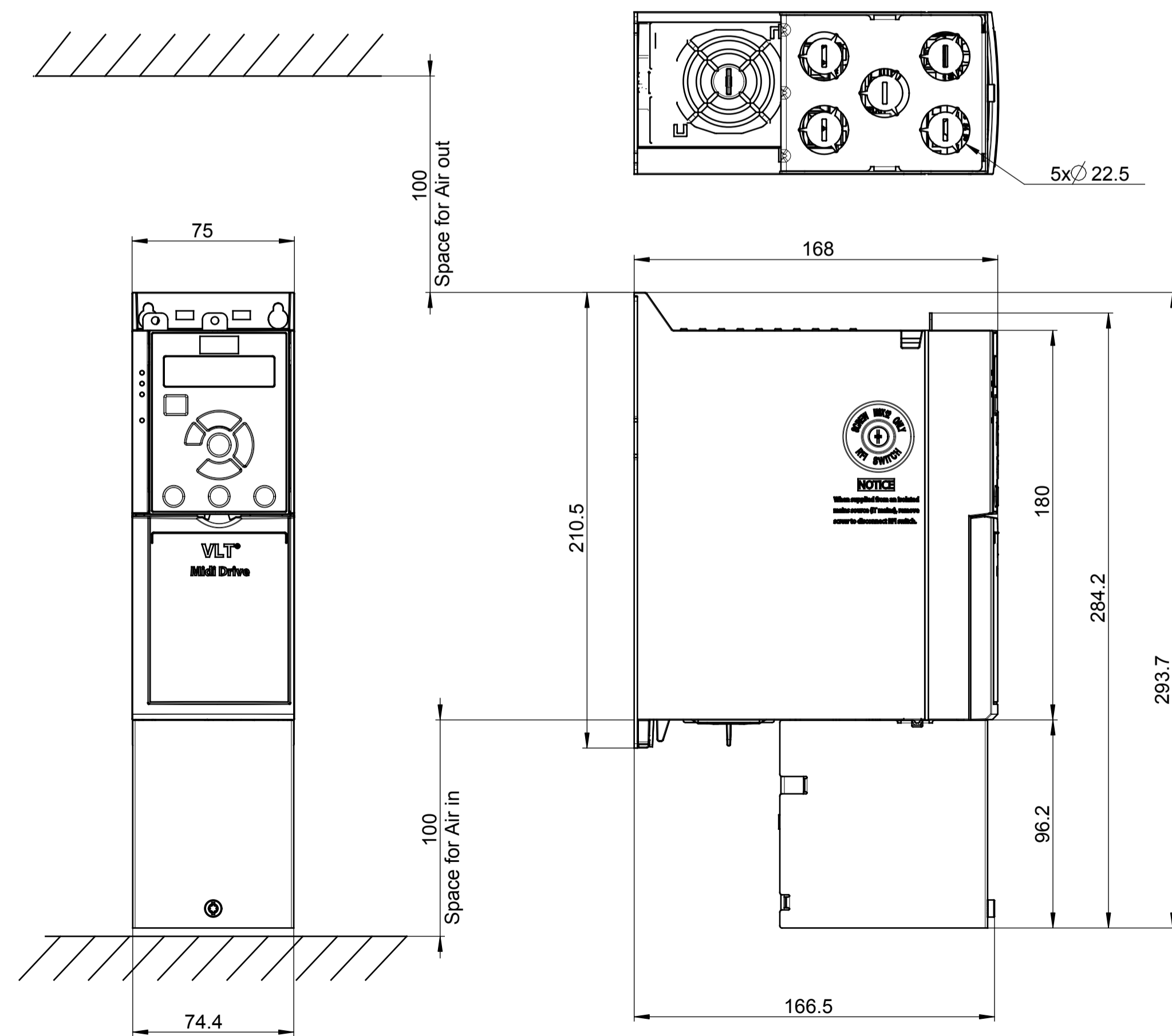


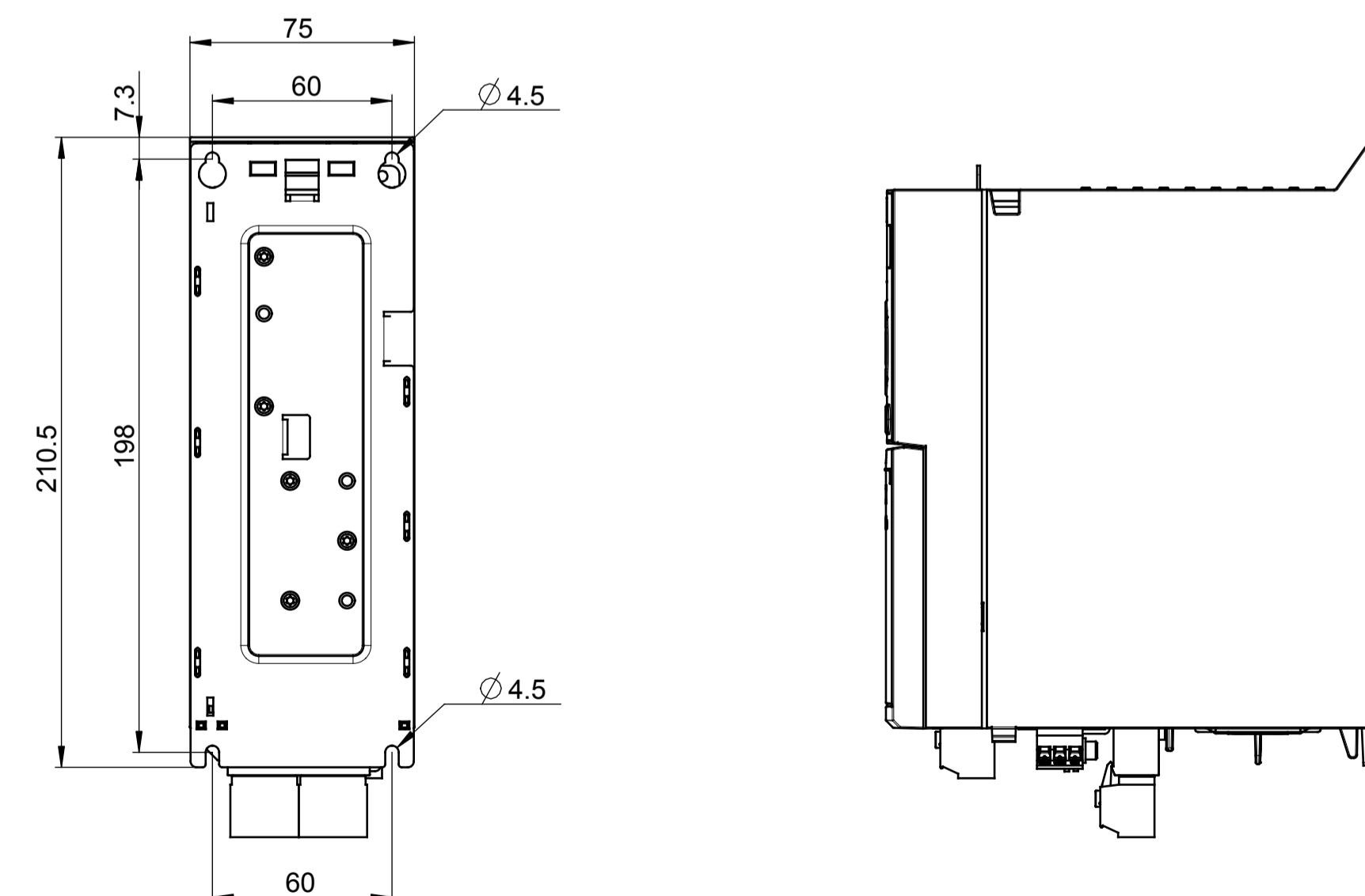
Standard with Decoupling kits



Standard with IP21-Option



Standard with Nema-Option



Mounting-Base

PDM controlled drawing. Hard copy not valid without frozen date in ID Stamp		Projection 	Scale 1:2	Size A1	Material
Replace				Designation / Name	
Designer	Peter Peng 2015-11-19			FC280-K1	
Confidential: Property of Danfoss Power Electronics A/S, Grasten, Denmark. Not to be handed over to, copied or used by third party. Two- or three dimensional reproduction of contents to be authorized by Danfoss Power Electronics A/S.					No. FC280-K1-INSTALLATION Rev. P1 Sheet 1 of 1

Model FC280-K1-INSTALLATION-ASSEMB